

THE NRCA ROOFING MANUAL

CONSTRUCTION DETAIL C-1

NRCA UL ES-1 CERTIFICATION

COPING

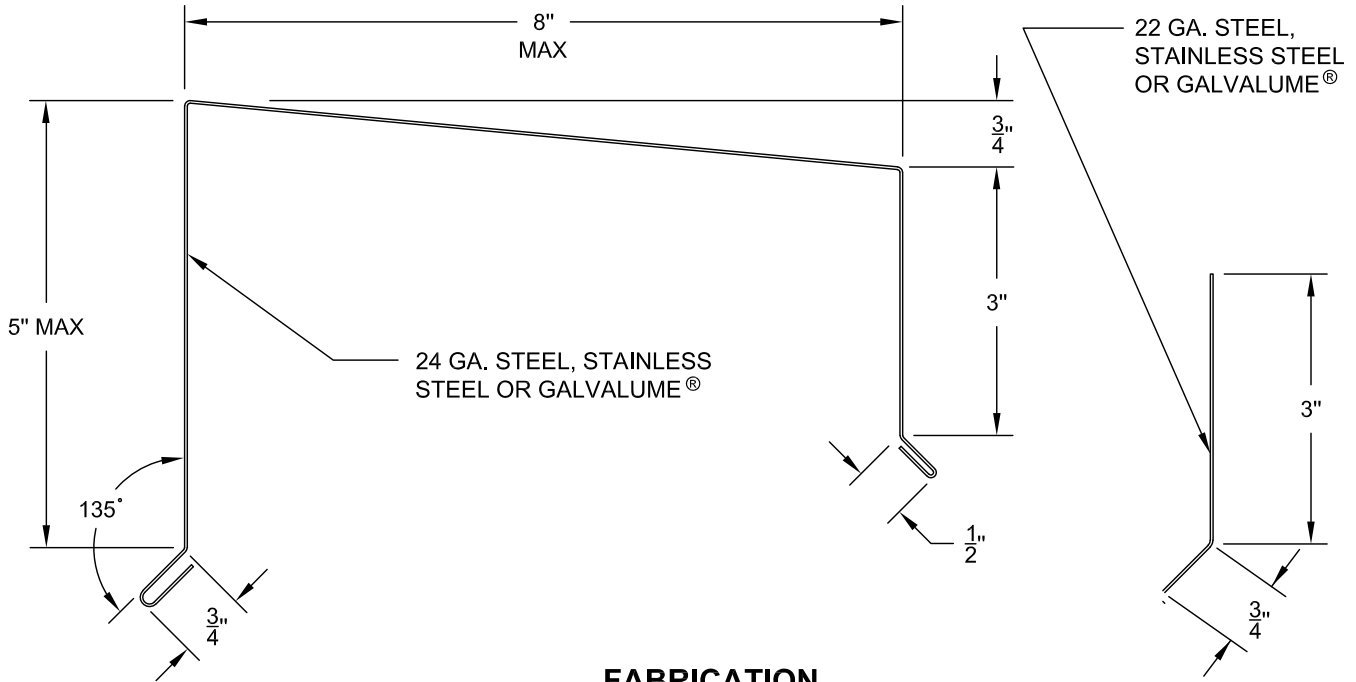
- 24 GA. STEEL
- 24 GA. STAINLESS STEEL
- 24 GA. GALVALUME®

**ANSI/SPRI ES-1
TESTED RESISTANCE**

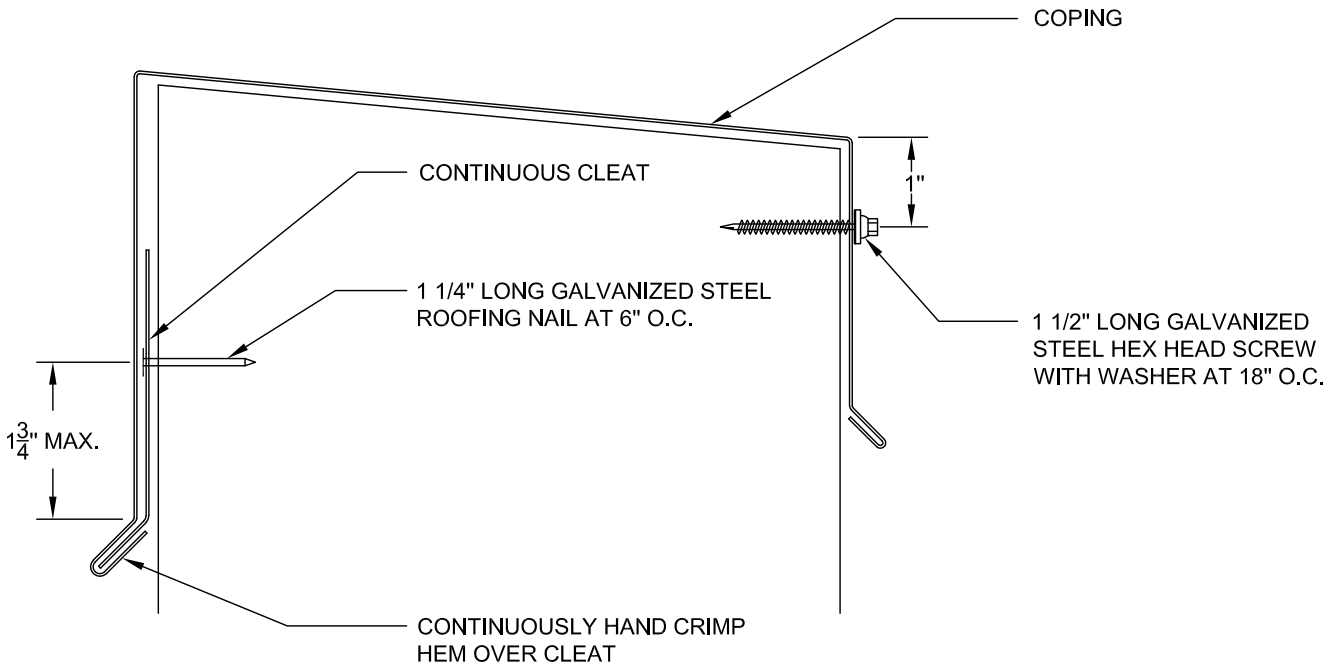
OUTWARD 190 LBS./SQ. FT. **UPWARD** 310 LBS./SQ. FT.

UL-1

2/15/21 REV.
10/30/15



FABRICATION



INSTALLATION