

**THE NRCA ROOFING MANUAL**  
CONSTRUCTION DETAIL EE-2

NRCA UL ES-1 CERTIFICATION

**EMBEDDED EDGE (A-TYPE)**

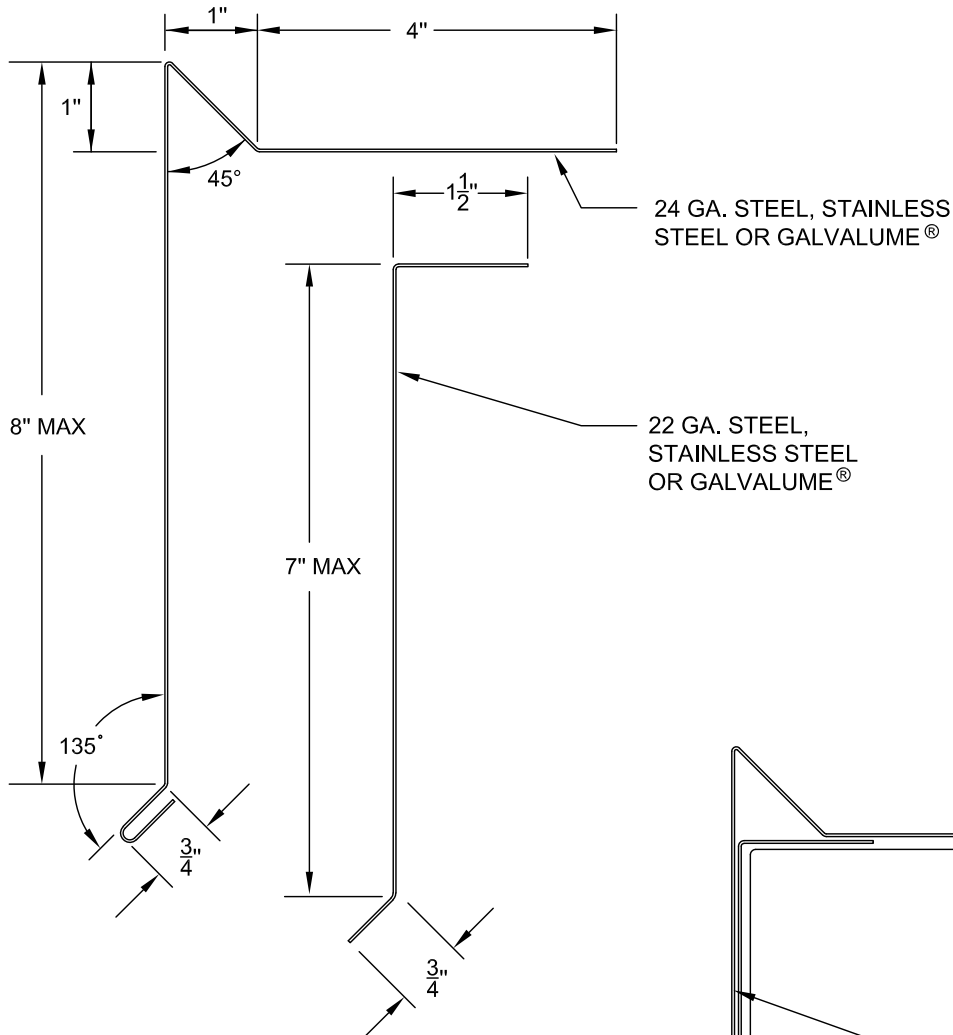
- 24 GA. STEEL
- 24 GA. STAINLESS STEEL
- 24 GA. GALVALUME®

**ANSI/SPRI ES-1  
TESTED RESISTANCE**

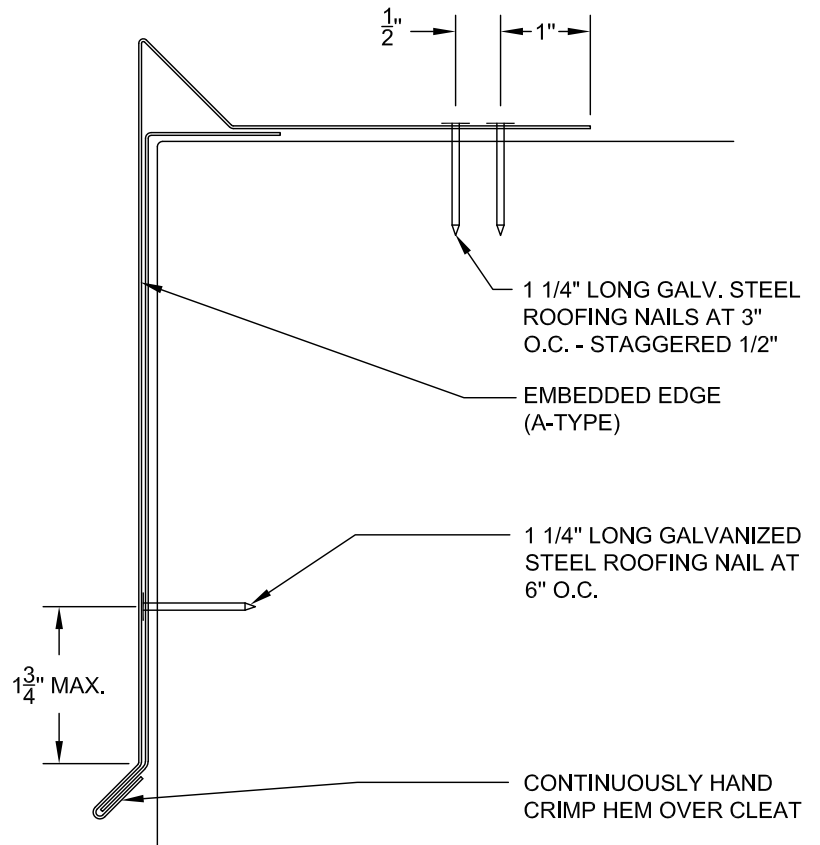
210 LBS./SQ. FT.

**UL-25A**

2/15/21 REV.  
10/30/15



**FABRICATION**



**INSTALLATION**